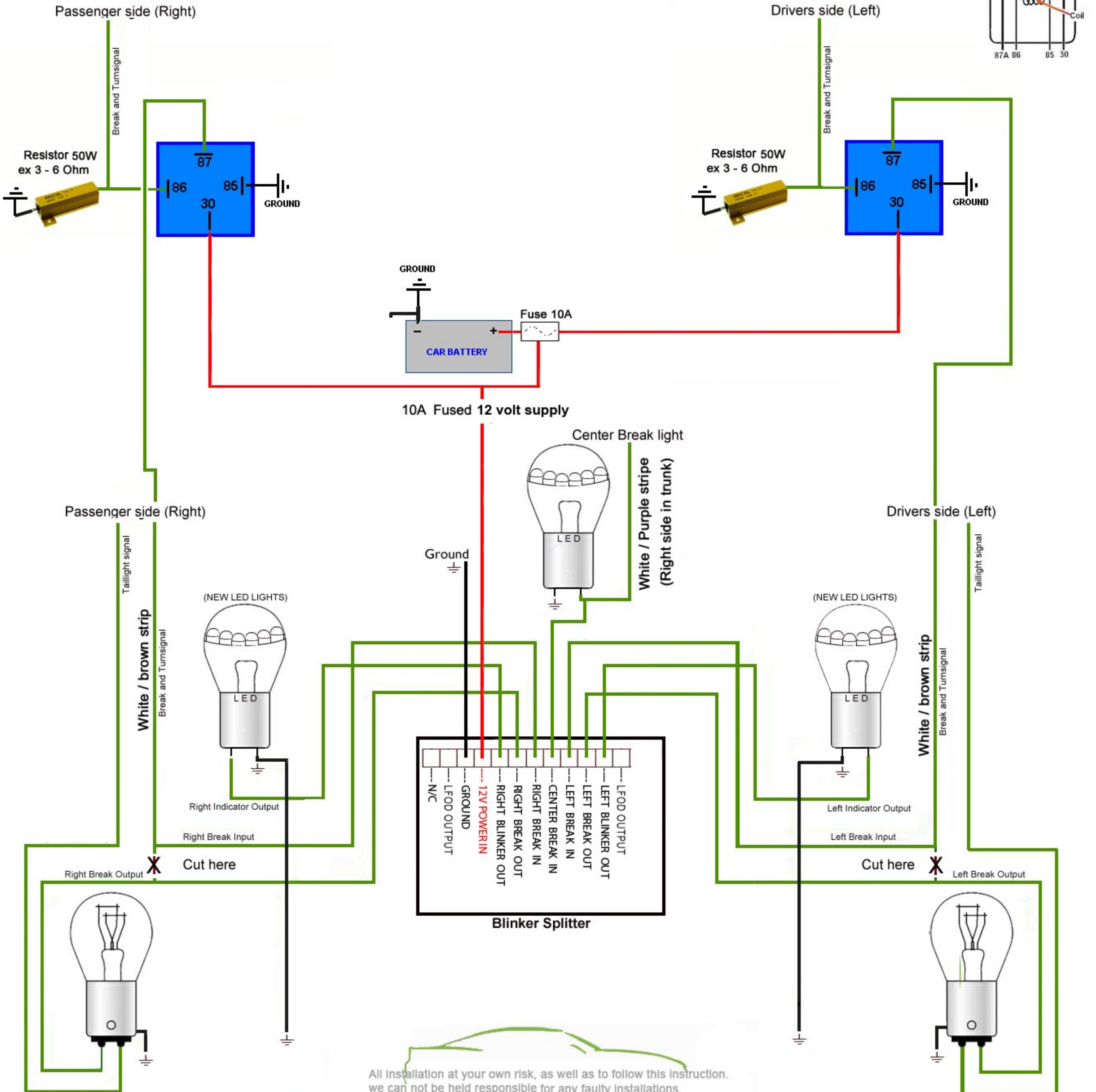
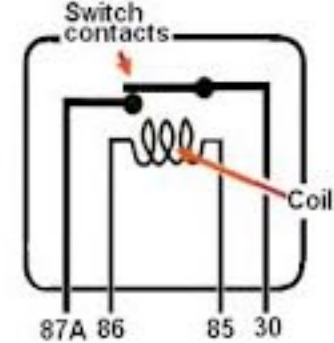


Some Cars, like Cherokee dont have enough power in the turnsignal
In order to get it to work, add a relay of fine quality with diode and connect
it as shown on the picture.
By connecting these relays you



All installation at your own risk, as well as to follow this instruction.
we can not be held responsible for any faulty installations.
Are you unsure of what to do, you should consult a qualified installer.