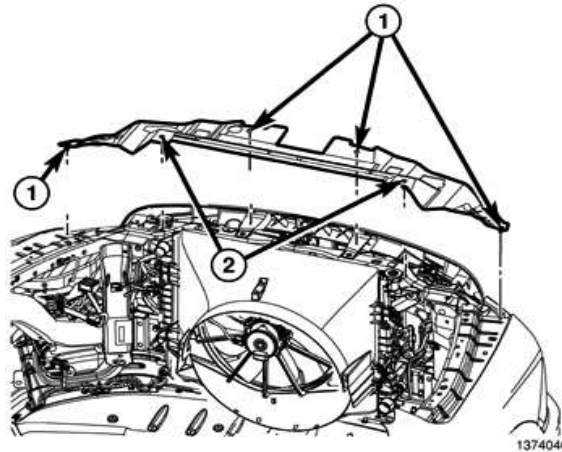


2014/11/17

Instruction Manual Customtronix grill Removal

2014 - DS - RAM 1500 PICKUP - 5.7L V8 HEMI MDS V.V.T. (EZH)

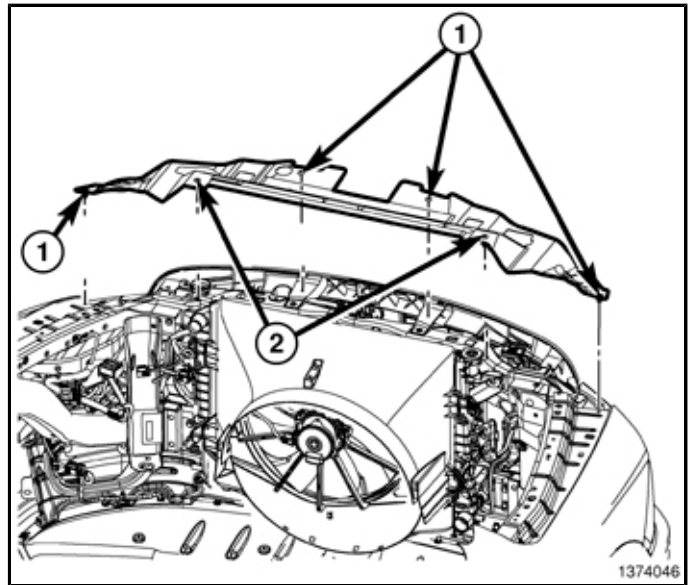


Chapter

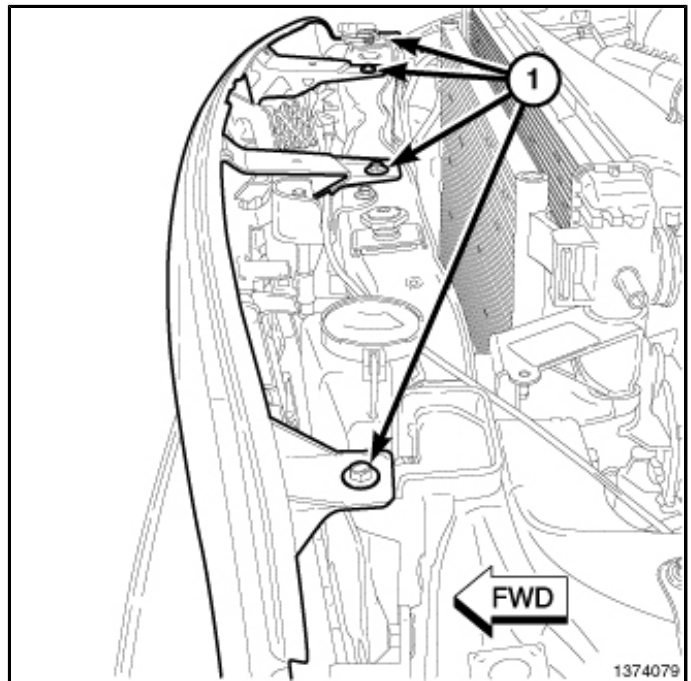
1 – How to remove the grill for installing a camera

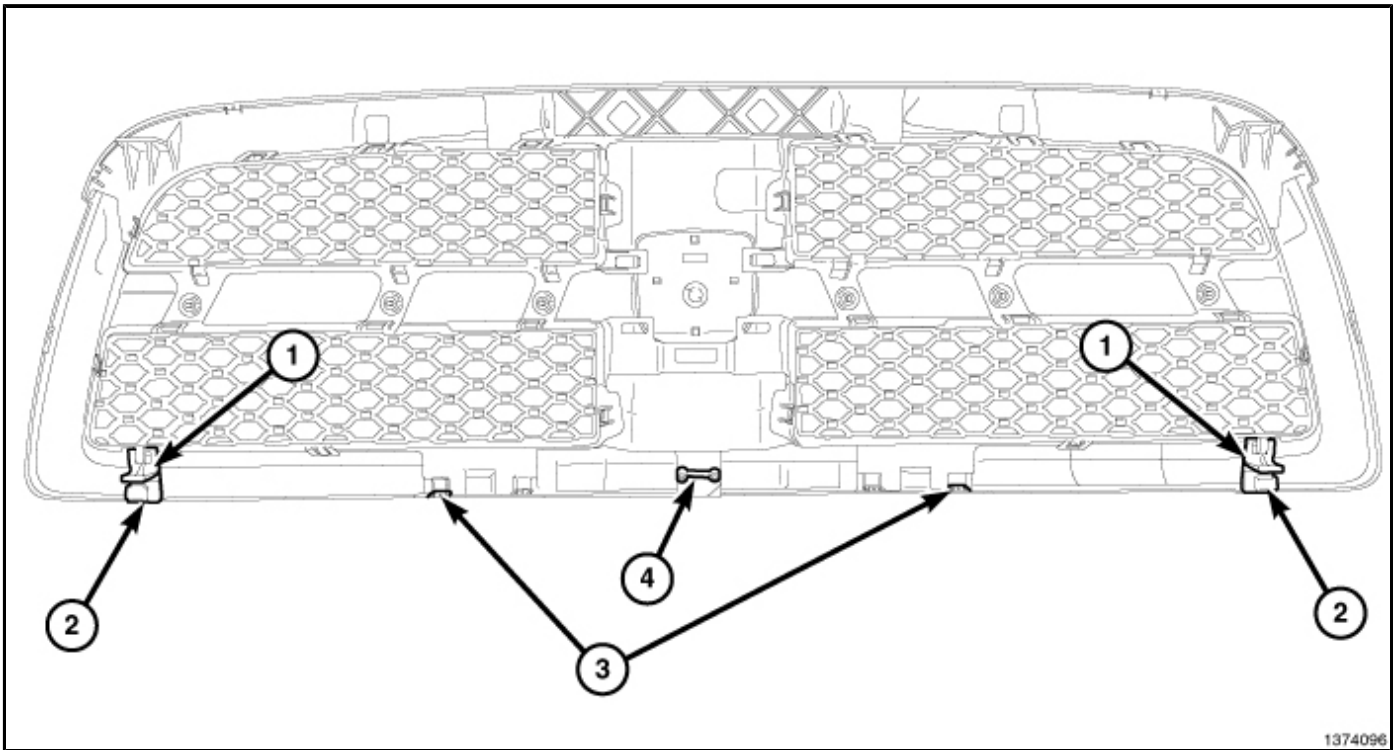
REMOVAL

1. Remove the four push pins (1).
2. Remove the two plastic rivets (2) and remove the upper radiator seal.



3. Remove the four upper grille support bolts (1).





1374096

4. Using trim stick [C-4755](#) or equivalent, separate the two lower spring clips (2).
5. Release the two lower hooks (1) and remove the grille.